

MOSHERFLO

PUMPS

Mosherflo ST/ST-X & SU/SU-X Self-Priming Pumps

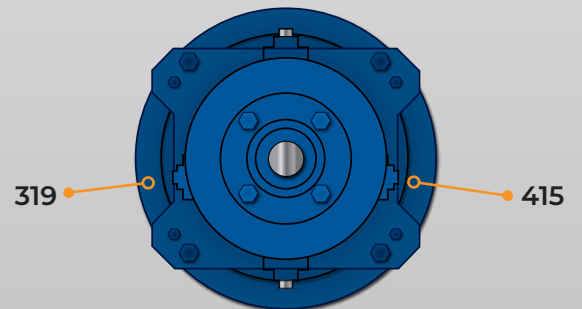
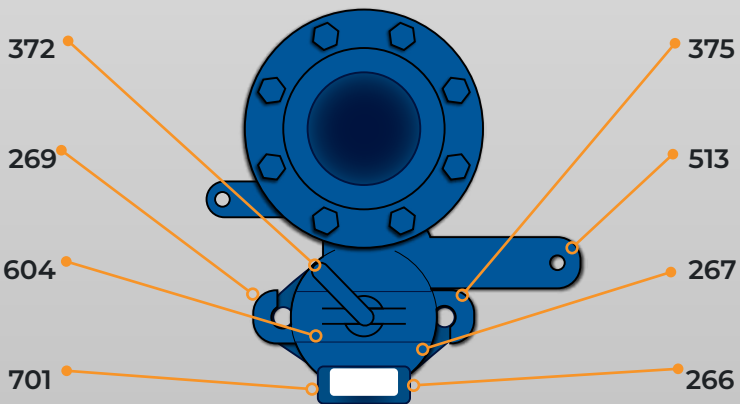
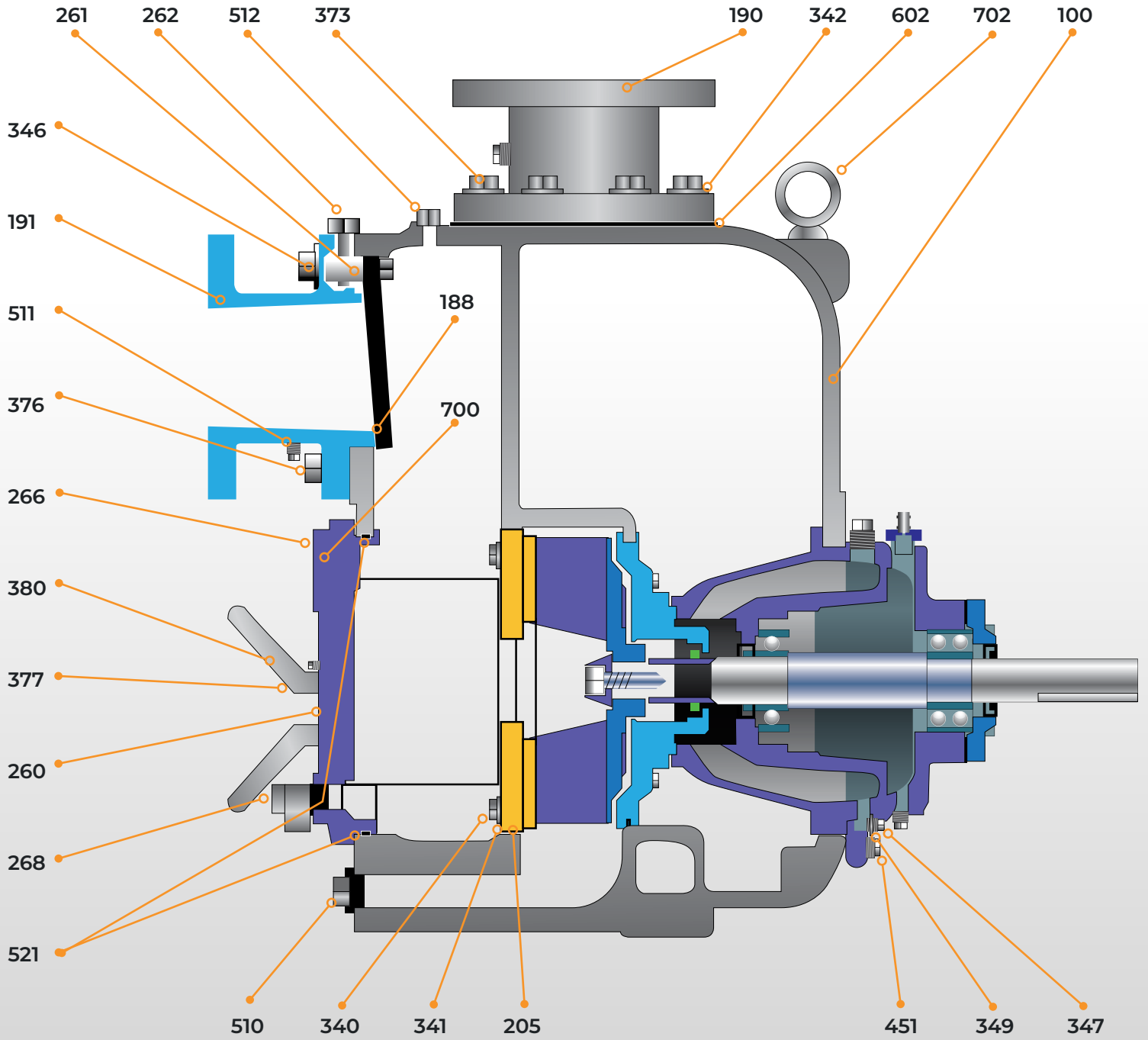


DISTRIBUTED BY:

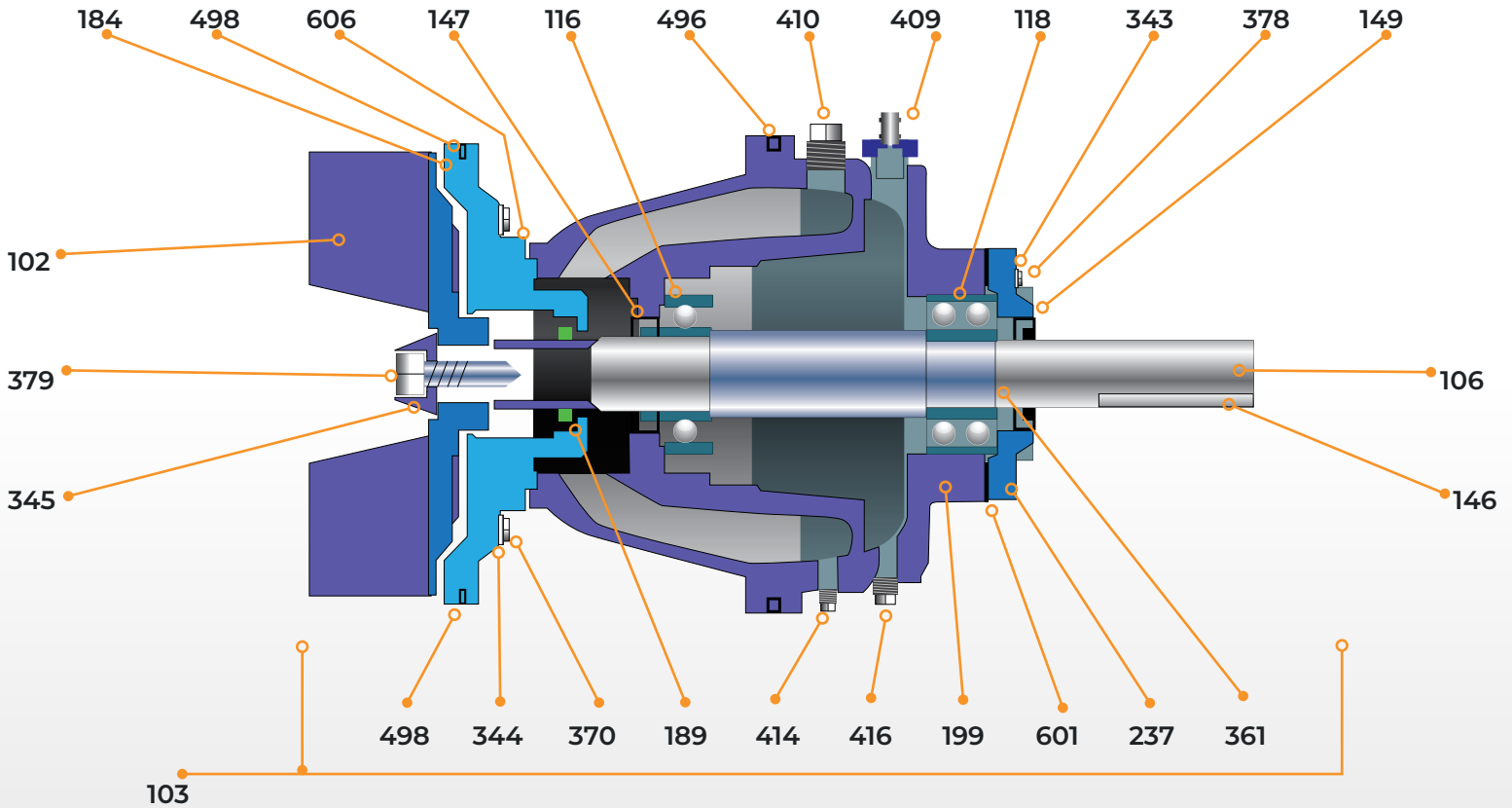
(281) 800-PUMP (7867)
sales@mosherflopumps.com

LOCATION: 5902A FM 517 RD. E. SAN LEON, TX 77539
MAILING ADDRESS: PO BOX 8929 BACLIF, TX 77518

ST/ST-X & SU/SU-X Parts List



ST/ST-X & SU/SU-X Rotating Assembly



Item	Qty	Description	Item	Qty	Description	Item	Qty	Description
100	1	Casing	319	1	Sight Gauge (Sight Glass)	412	1	O-Ring, Sleeve
102	1	* Impeller	340	2	Nut, Wear-Plate	414	1	Plug, Seal Cavity Drain
103	1	* Rotating Assembly	341	2	Lock-Washer, Wear-Plate	415	1	Plug
106	1	Shaft	342	4	Lock-Washer, Dish Flange	416	1	Plug, Bearing Hsg Drain
116	1	Bearing, IB	343	4	Lock-Washer, OB Cover	450	1	Shim Set, Impeller
118	1	Bearing, OB	344	4	Lock-Washer, Hsg To Seal Plate	451	4	Adjusting Screw, Rotating Assembly
126	1	Shaft Sleeve	345	1	Impeller Washer	496	1	* Rotating Assembly O-Ring
146	1	* Coupling Key	346	4	Lock-Washer, Suction Flange	498	1	* Seal Plate O-Ring
147	2	* Lip Seal, IB (Oil Seal)	347	4	Bolt, Hsg To Case	510	1	Plug, Casing Drain
149	1	* Lip Seal, OB (Oil Seal)	349	4	Lock-Washer, Hsg to Case	511	1	Plug, Suction Flange
184	1	Seal Plate	361	1	Retaining Ring, OB	512	1	Plug
188	1	* Suction Flange Gasket	370	4	Bolt- Hsg To Seal Plate	513	1	Plug
189	1	* Mechanical Seal Assembly	372	1	Clamp Bar Screw	521	1	* Back Cover O-Ring
190	1	Discharge Flg-Std Flanged	373	4	Bolt, Dish Flange	601	1	* Bearing Gasket Cap
191	1	Suction Flg-Std Flanged	374	4	Drive Screw, Warning Plate	602	1	* Discharge Flange Gasket
192	1	Discharge Flg-Option Threaded	375	2	Fill Cover Palte Bolt (Priming Cover Bolt)	603	1	Fill Cover Gasket
193	1	Suction Flg-Option Threaded	376	4	Bolt, Suction Flange	604	1	Cover, Priming With Warning Plate
199	1	Bearing Housing CI	377	2	Hand Nut, Back Cover	606	1	* Seal Plate Gasket
205	1	Wear Plate Assembly	378	4	Bolt, OB Cover To Hsg	700	1	Warning Plate, Back Cover
237	1	Bearing Cap	379	1	Impeller Capscrew	701	1	Warning Plate, Priming Cover
260	1	Back Cover Plate Assembly	380	1	Cover Plate Handle	702	1	Lifting Eye
261	1	* Check Valve Assembly	381	2	Cover Plate Bolt			
262	1	Check Valve Pin	382	2	Back Cover Handle Lockwasher			
266	1	Drive Screw - Warning Plate Fill	407	1	Bushing Reduced - Vent (refer to 409)			
267	1	Fill Cover Plate	408	1	Air Vent (refer to 409)			
268	1	Pressure Relief Valve Bronze	409	1	St Air Vent (ST2-12) Aluminum			
269	1	Clamp Bar, Priming Cover	410	1	Vented Plug			

* INDICATES PARTS RECOMMENDED FOR STOCK

ST3 and ST-X3

Parts interchangeability:

- Impeller
- Mechanical Seal
- OB Bearing
- IB Bearing
- Seal Plate
- Wear plate Assembly

Other Info:

- An ST-X3 rotating assembly can be installed in an ST3 pump; however, an ST3 rotating assembly cannot be installed in an ST-X3 pump
- Back cover plates do not interchange and differ from one another.
- Exterior dimensions are equivalent
- ST-X3 utilizes the external shimless cover-plate adjustment and (2) 1/16" thick spacers on rotating assembly side.
- Hydraulics are the same.

ST4 and ST-X4

Parts interchangeability:

- Impeller
- Mechanical Seal
- Seal Plate
- Wear Plate Assembly

Other Info:

- An ST-X4 rotating assembly can be installed in an ST4 pump; however, an ST4 rotating assembly cannot be installed in a ST-X4 pump
- Cover plates do not interchange and differ from one another.
- Exterior dimensions are equivalent
- ST-X4 requires different OB and IB Bearings
- ST-X4 utilizes the external cover-plate adjustment and 1/16" thick spacers on rotating assembly side
- Hydraulics are the same.

ST6 and ST-X6

Parts interchangeability:

- Wear plate Assembly

Other Info:

- An ST-X6 rotating assembly can be installed in an ST6 pump; however, an ST6 rotating assembly cannot be installed in an ST-X6 pump.
- Back cover plates do not interchange and differ from one another.s
- Exterior dimensions are equivalent
- ST-X6 requires a different shaft
- Seal Assembly is different – ST-X6 utilizes the 1 7/8" seal

- ST-X6 requires different OB and IB Bearings
- ST-X6 utilizes the external shimless cover-plate adjustment and 2) 1/16" thick spacers on rotating assembly side
- Hydraulics are the same.

ST8 and ST-X8

Parts interchangeability:

- Wear plate Assembly
- IB Bearings
- OB Bearings
- Mechanical Seal
- Seal plate
- Impeller

Other Info:

- An ST-X8 rotating assembly can be installed in an ST8 pump; however, an ST8 rotating assembly cannot be installed in an ST-X8 pump.
- Back cover plates do not interchange and differ from one another.
- ST-X8 RA offers vent chamber and bearing protection
- Both utilize a cartridge seal
- Exterior dimensions are equivalent
- Shaft is different
- Hydraulics are the same.

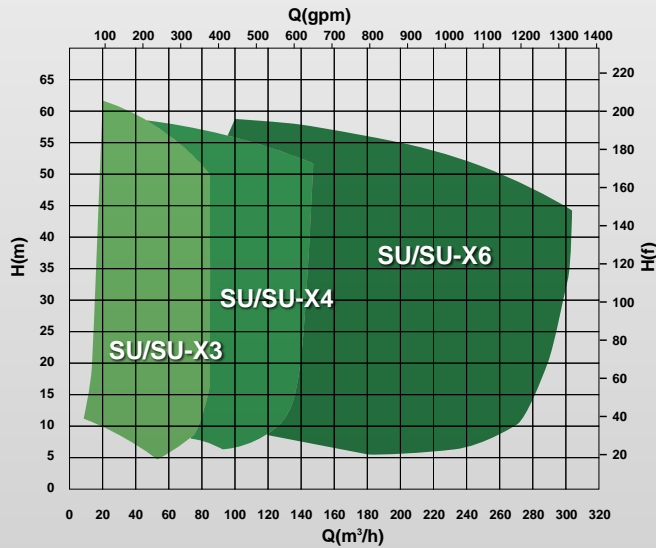
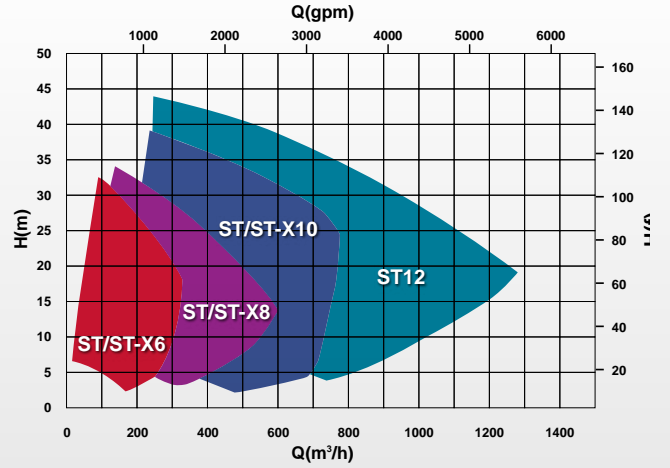
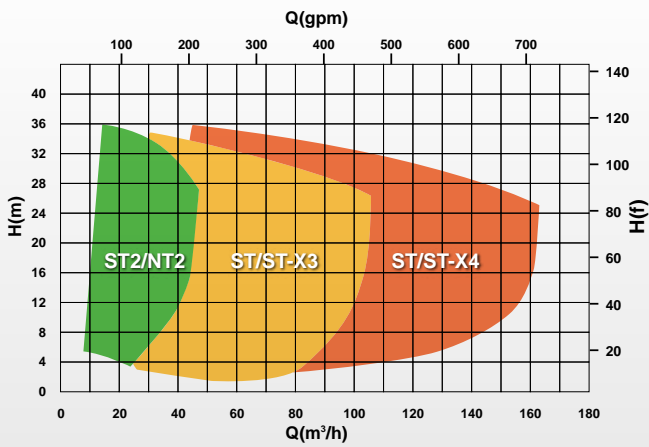
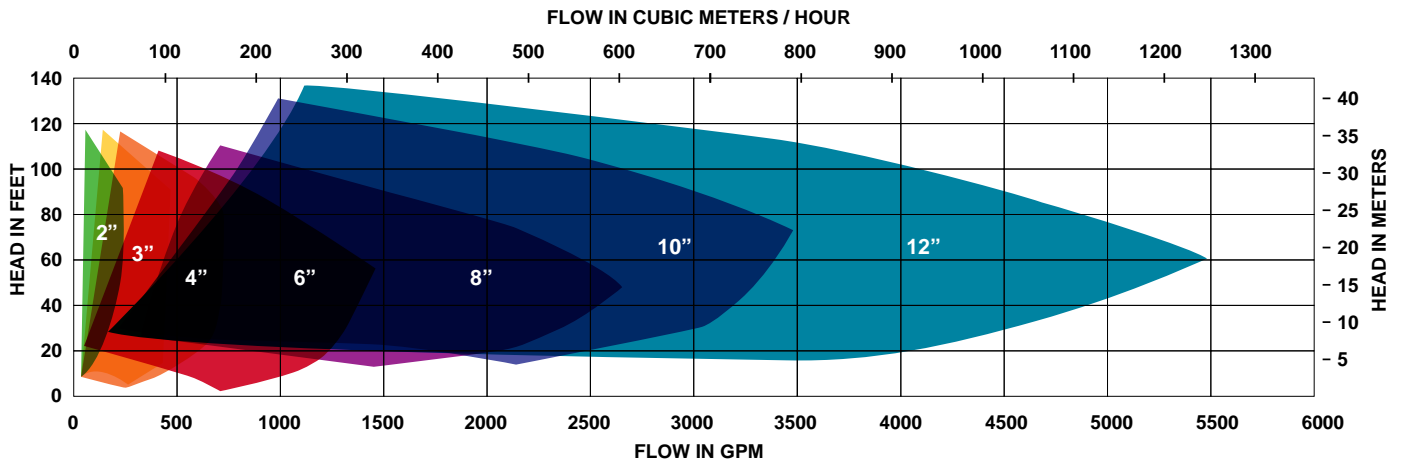
ST10 and ST-X10

Parts interchangeability:

- IB Bearings
- OB Bearings
- Mechanical Seal
- Impeller
- Front Wear Plate Assembly

Other Info:

- An ST-X10 rotating assembly can be installed in an ST10 pump; however, an ST10 rotating assembly cannot be installed in an ST-X10 pump.
- ST-X10 RA offers vent chamber and bearing protection.
- Exterior dimensions are equivalent
- Shaft is different
- Impeller to wear plate adjustments are the same on both pumps – adjust from RA side (no cover-plate adjustments)
- Hydraulics are the same.

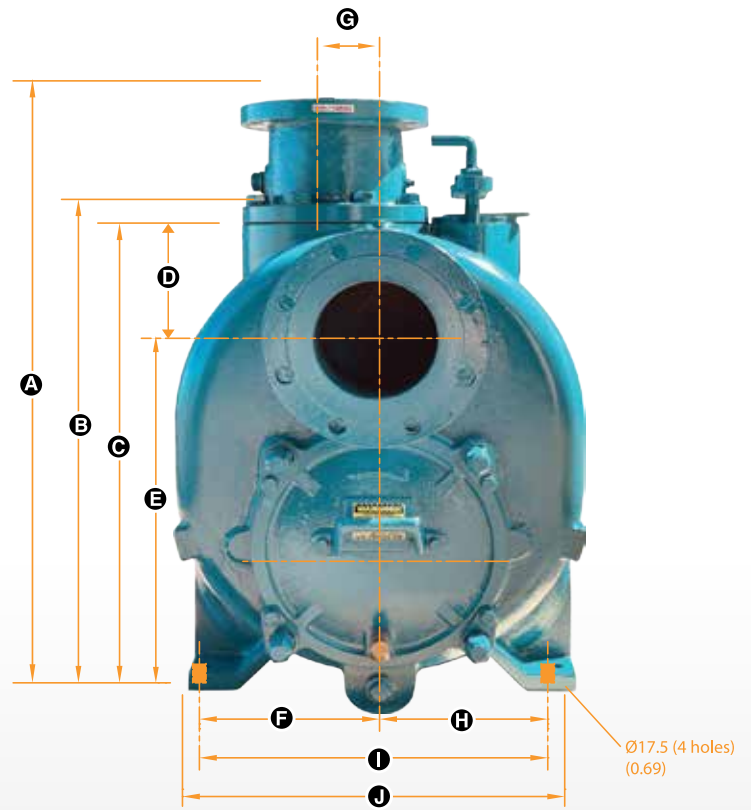


ST/ST-X & SU/SU-X Flow in GPM

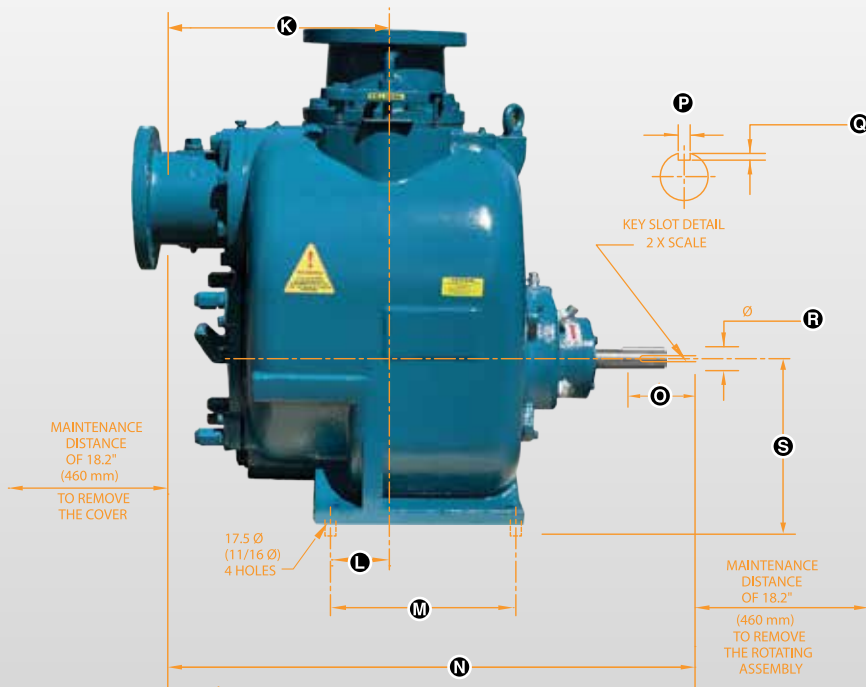
PUMP SIZE	ST2/NT2"	ST/ST-X 3"	ST/ST-X 4"	ST/ST-X 6"	ST/ST-X 8"	ST/ST-X 10"	ST 12"
RPM RANGE	1150 - 2900	650 - 2150	650 - 1950	650 - 1550	650 - 1350	650 - 1450	650 - 1250
MAX SOLIDS	1.75"	2.5"	3"	3"	3"	3"	3"

PUMP SIZE	SU/SU-X 3"	SU/SU-X 4"	SU/SU-X 6"
RPM RANGE	850 - 2150	850 - 2150	850 - 1950
MAX SOLIDS	13/16	1-1/8	1-1/4

NT/ST/ST-X (2" - 10" Dimensions)



ANSI FLANGES ARE STANDARD ON ALL MOSHERFLO SELF PRIMING PUMPS

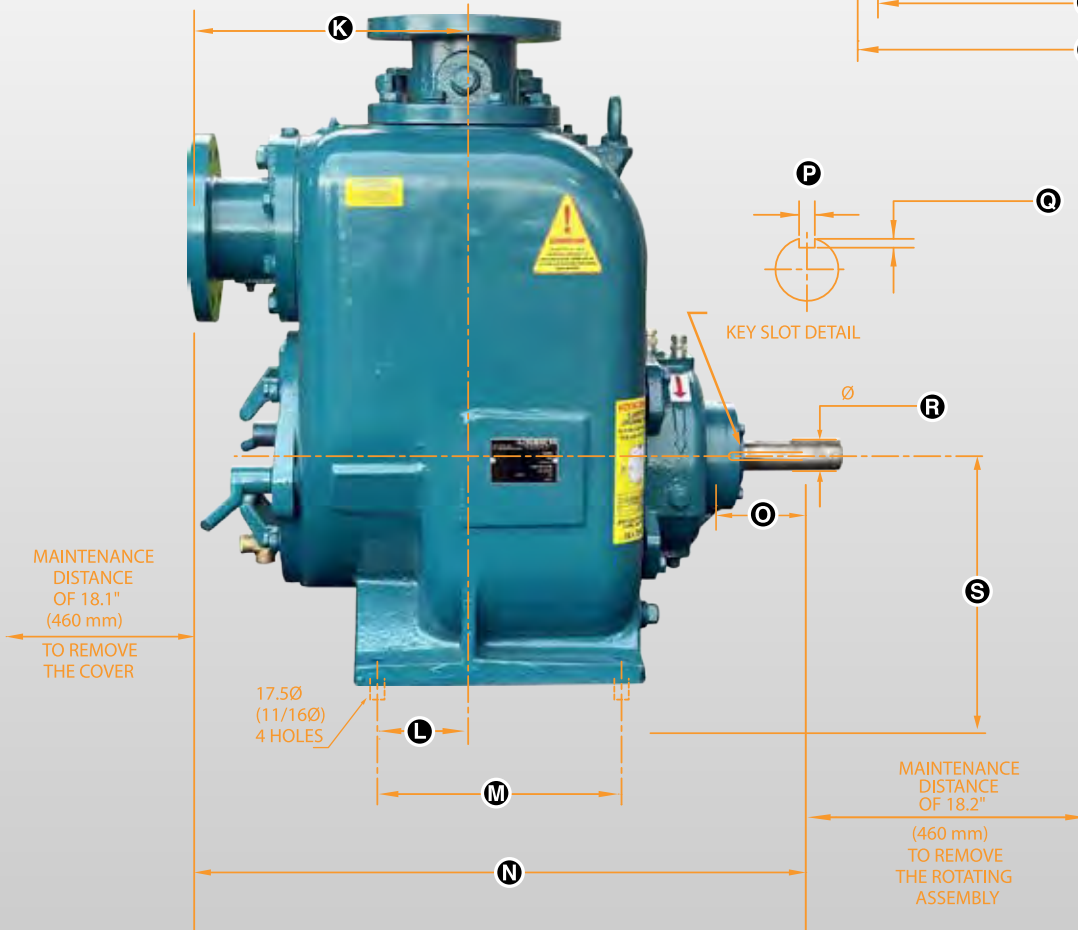
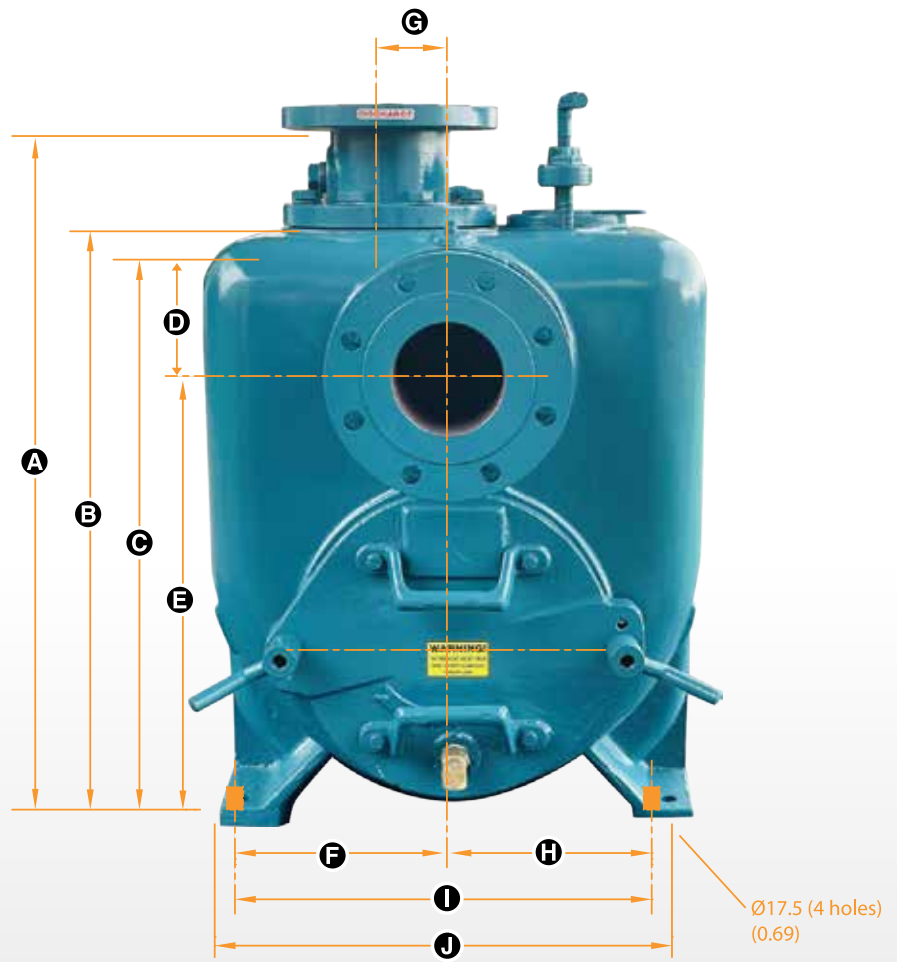


NT	A	B	C	D	E	F	G	H	I	J	K	L	M	N	O	P	Q	R	S
2"	22	18	17.25	3.25	14	6	2	6	12	13	10.5	2.125	7.25	25.19	2	0.25	0.15	1.25	6

ST/ST-X	A	B	C	D	E	F	G	H	I	J	K	L	M	N	O	P	Q	R	S
2"	21.06	16.92	15.55	3.04	12.51	5.53	2.75	5.53	11.06	12.14	9.21	2.12	6.42	24.75	4.05	0.38	0.21	1.5	5.96
3"	27.06	22.25	21	4	17	7.75	2.75	7.75	15.5	17	11.6 / 11.56	3	9	28.57	4	0.38	0.21	1.5	7.5
4"	29.25	25.75	24.38	4.88	19.5	9	2.75	9	18	19.75	12.5	3.06	11	32	5	0.38	0.21	1.5	8.75
6"	35.31	29.88	28.25	5.87	22.38	10.38	2.75	10.38	20.75	22.75	16	3.06	11	35.57	5	0.38	0.21	1.5	10.13
8"	42.06	37.81	36	7.5	28.5	12.5	0	12.5	25	27.75	20.38	4	12	40.28	6.69	0.38	0.21	1.75	13
10"	41.25	41.25	N/A	N/A	25.19	12.5	0	12.5	25	27.75	28	4	12	49	4.81	0.38	0.21	1.75	14
12"	For ST-12 dimensions, please inquire with Mosherflo Pumps.																		

SU/SU-X (3" - 6" Dimensions)

ANSI FLANGES ARE STANDARD ON ALL MOSHERFLO SELF PRIMING PUMPS



SU/SU-X	A	B	C	D	E	F	G	H	I	J	K	L	M	N	O	P	Q	R	S
3"	27	22.23	N/A	5.23	17	7.75	2.75	7.75	15.5	17	11.5	3	9	28.64	4.06	0.38	0.19	1.5	7.5
4"	29.68	26.25	24.87	4.87	20	9	2.75	9	18	20	12.31	3.81	11	31.21	4.97	0.38	0.19	1.5	8.75
6"	35.32	29.88	28.25	7.51	22.38	10.38	2.75	10.38	20.76	23	16	3.06	11	37.19	4.97	0.38	0.19	1.75	10.12

Mosherflo Pumps offers complete pump packages in both direct-drive and belt-driven configurations to meet your conditions of service.

A Variety Of Skid Configurations Are Available:

- Direct Drive (Coupled)
- Horizontal Side-By-Side Belt-Driven
- Vertically-Mounted Overhead- Base Belt-Driven

Additional Options Are Available:

- Control Panels
- VFD's
- Float Switches
- Wiring Services
- Temperature Gauges
- Pressure Gauges
- Heaters



For more information on these products or any of our other products, please give us a call at (281)800-PUMP or contact us via email: sales@mosherflopumps.com. We have Applications Specialists and Customer Care Representatives standing by 24 hours a day, 7 days a week!

All Mosherflo ST/ST-X and SU/SU-X Series are replacement parts for the Gorman-Rupp Models T®, U®, and Super T® Series (Except for the ST-2 which is not a drop-in replacement) . All pumps are hydrostatically pressure tested prior to shipment. All OEM names, numbers, descriptions, or likenesses are used for reference purposes only. It is not advertised that any part herein is a product of this OEM manufacturer. (U series®, T series®, and Super T® Series, are all registered trademarks of Gorman-Rupp and are not associated with Mosherflo Pumps or its products).